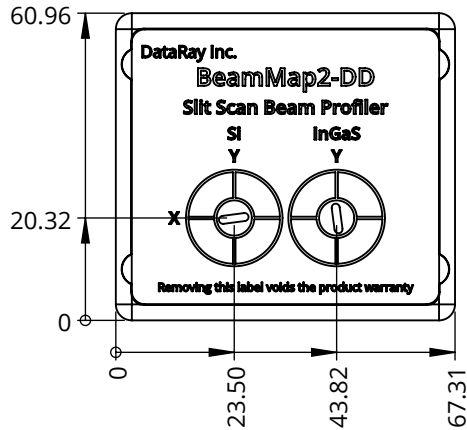
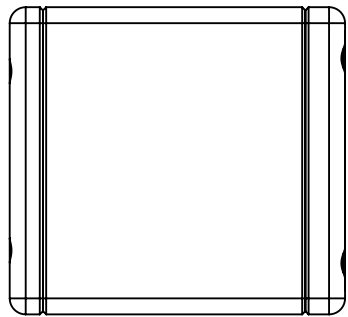
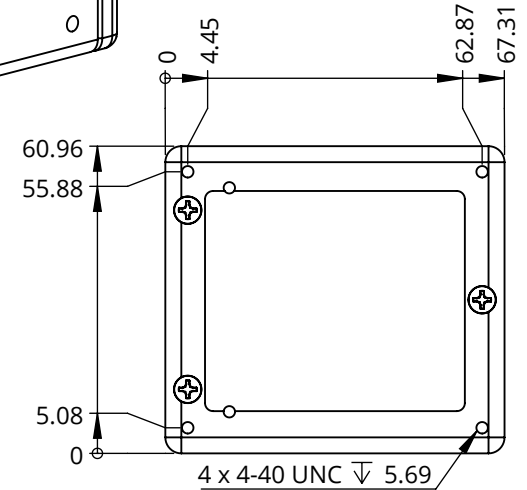
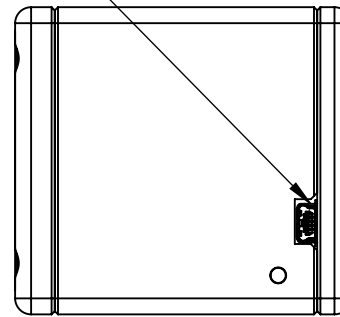


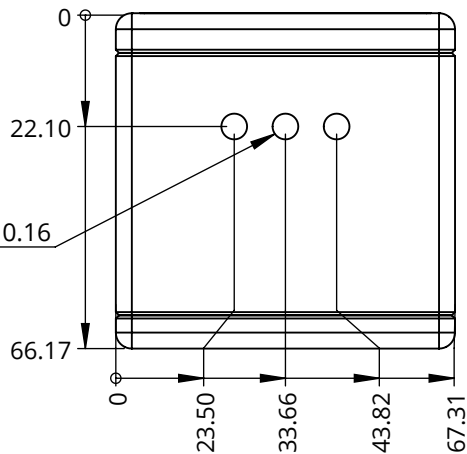
USB 2.0
Mini-B
Port



| Plane Spacing | 4XY models | | | | 3XYKE Models | |
|---------------------|------------|--------|--------|--------|--------------|---------|
| | 100µm: | 250µm: | 500µm: | 750µm: | 50 µm: | 100 µm: |
| First Plane | -100 | -250 | -500 | -750 | -50 | -100 |
| Second (Zero) Plane | 0 | 0 | 0 | 0 | 0 | 0 |
| Third Plane | 100 | 250 | 500 | 750 | 50 | 100 |
| Fourth Plane | 400 | 1000 | 2000 | 3000 | 0 | 0 |

For a 250µm plane spacing, typical zero plane distance from front of profiler case is 3.25mm. Plane spacing relative to zero plane. Profiler specific distance varies by unit.

Units:
Millimeters



3 X 1/4"-20 MOUNTING HOLES ∇ 10.16

| | | | |
|------------------------------------------------|------------|----------------------------------------------------------|---------------------------------------------------------------------------|
| DATARAY.COM +1-866-946-2263 +1-530-776-0843 | | | |
| THIRD ANGLE PROJECTION | | TITLE: <h2 style="text-align: center;">BeamMap 2</h2> | |
| DRAWN SM | NAME SM | DATE 20190605 | COPYRIGHT © 2018 BY DATARAY INC. REV 3 SCALE: 1:1.5 SHEET 1 OF 1 |
| APPROVED LJ | NAME LJ | DATE 20190605 | |
| SIZE LTR | | | |