

SC320/SC321 Series

USB Configurable, Dual Band Vibration / Ultrasound plus Temperature Signal Conditioners



VIBRATION ANALYSIS HARDWARE

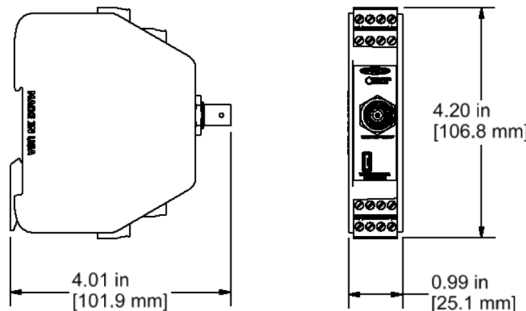


Product Features

Micro USB port and dedicated software allow for field configuration of input signal, scale values, filtering options and outputs; built-in IEPE supply for powering sensors can be toggled on or off configurations. **USB Configurator Cord Sold Separately

Provides process control signals to a PLC, DCS, or SCADA system that are proportional to the vibration levels set within the signal conditioner.

- ▶ Accepts a variety of signal inputs: acceleration, velocity, temperature and displacement; capable of monitoring ultrasound frequency signals up to 40 kHz
- ▶ Provides two separate band-pass filtered outputs from one single axis sensor input, including the option to select an ultra-sound frequency band
- ▶ An additional built-in temperature output is a standard supplied feature, which may be utilized when using a CTC TA200 series dual output vibration and temperature sensor



Specifications

Output	4-20 mA output signal proportional to temperature input (1-1.7 VDC input) Two fully configurable process control output signals for vibration (0-20 mA, 4-20 mA, 0-5 VDC, or 0-10 VDC)
Humidity Range	0-95% relative, non-condensing
Connectors	Screw Terminals, detachable
Input Power	24 to 30 VDC unregulated / 4W Absolute Maximum*
Sensor Power	24 VDC, 4 mA DC sensor excitation
Max Load Resistance	1000 ohms
Isolation	1000 VDC
Temperature Range	-40 to 176°F (-40 to 80°C)
Tolerance	No Load: ±2%*
	Scaling: ±6%*

*Maximum tolerances listed at 25°C

Built to Order

Backed by our Unconditional Lifetime Warranty
 *condition: VDC = 30V, CH1 = 20 mA, CH2 = 20 mA, CH3 = 20 mA, CH4 = 20 mA, CH5 = 20 mA, CH6 = 20 mA, CH7 = 20 mA, CH8 = 20 mA, CH9 = 20 mA, CH10 = 20 mA, CH11 = 20 mA, CH12 = 20 mA, CH13 = 20 mA, CH14 = 20 mA, CH15 = 20 mA, CH16 = 20 mA, CH17 = 20 mA, CH18 = 20 mA, CH19 = 20 mA, CH20 = 20 mA, CH21 = 20 mA, CH22 = 20 mA, CH23 = 20 mA, CH24 = 20 mA, CH25 = 20 mA, CH26 = 20 mA, CH27 = 20 mA, CH28 = 20 mA, CH29 = 20 mA, CH30 = 20 mA, CH31 = 20 mA, CH32 = 20 mA, CH33 = 20 mA, CH34 = 20 mA, CH35 = 20 mA, CH36 = 20 mA, CH37 = 20 mA, CH38 = 20 mA, CH39 = 20 mA, CH40 = 20 mA, CH41 = 20 mA, CH42 = 20 mA, CH43 = 20 mA, CH44 = 20 mA, CH45 = 20 mA, CH46 = 20 mA, CH47 = 20 mA, CH48 = 20 mA, CH49 = 20 mA, CH50 = 20 mA, CH51 = 20 mA, CH52 = 20 mA, CH53 = 20 mA, CH54 = 20 mA, CH55 = 20 mA, CH56 = 20 mA, CH57 = 20 mA, CH58 = 20 mA, CH59 = 20 mA, CH60 = 20 mA, CH61 = 20 mA, CH62 = 20 mA, CH63 = 20 mA, CH64 = 20 mA, CH65 = 20 mA, CH66 = 20 mA, CH67 = 20 mA, CH68 = 20 mA, CH69 = 20 mA, CH70 = 20 mA, CH71 = 20 mA, CH72 = 20 mA, CH73 = 20 mA, CH74 = 20 mA, CH75 = 20 mA, CH76 = 20 mA, CH77 = 20 mA, CH78 = 20 mA, CH79 = 20 mA, CH80 = 20 mA, CH81 = 20 mA, CH82 = 20 mA, CH83 = 20 mA, CH84 = 20 mA, CH85 = 20 mA, CH86 = 20 mA, CH87 = 20 mA, CH88 = 20 mA, CH89 = 20 mA, CH90 = 20 mA, CH91 = 20 mA, CH92 = 20 mA, CH93 = 20 mA, CH94 = 20 mA, CH95 = 20 mA, CH96 = 20 mA, CH97 = 20 mA, CH98 = 20 mA, CH99 = 20 mA, CH100 = 20 mA, CH101 = 20 mA, CH102 = 20 mA, CH103 = 20 mA, CH104 = 20 mA, CH105 = 20 mA, CH106 = 20 mA, CH107 = 20 mA, CH108 = 20 mA, CH109 = 20 mA, CH110 = 20 mA, CH111 = 20 mA, CH112 = 20 mA, CH113 = 20 mA, CH114 = 20 mA, CH115 = 20 mA, CH116 = 20 mA, CH117 = 20 mA, CH118 = 20 mA, CH119 = 20 mA, CH120 = 20 mA, CH121 = 20 mA, CH122 = 20 mA, CH123 = 20 mA, CH124 = 20 mA, CH125 = 20 mA, CH126 = 20 mA, CH127 = 20 mA, CH128 = 20 mA, CH129 = 20 mA, CH130 = 20 mA, CH131 = 20 mA, CH132 = 20 mA, CH133 = 20 mA, CH134 = 20 mA, CH135 = 20 mA, CH136 = 20 mA, CH137 = 20 mA, CH138 = 20 mA, CH139 = 20 mA, CH140 = 20 mA, CH141 = 20 mA, CH142 = 20 mA, CH143 = 20 mA, CH144 = 20 mA, CH145 = 20 mA, CH146 = 20 mA, CH147 = 20 mA, CH148 = 20 mA, CH149 = 20 mA, CH150 = 20 mA, CH151 = 20 mA, CH152 = 20 mA, CH153 = 20 mA, CH154 = 20 mA, CH155 = 20 mA, CH156 = 20 mA, CH157 = 20 mA, CH158 = 20 mA, CH159 = 20 mA, CH160 = 20 mA, CH161 = 20 mA, CH162 = 20 mA, CH163 = 20 mA, CH164 = 20 mA, CH165 = 20 mA, CH166 = 20 mA, CH167 = 20 mA, CH168 = 20 mA, CH169 = 20 mA, CH170 = 20 mA, CH171 = 20 mA, CH172 = 20 mA, CH173 = 20 mA, CH174 = 20 mA, CH175 = 20 mA, CH176 = 20 mA, CH177 = 20 mA, CH178 = 20 mA, CH179 = 20 mA, CH180 = 20 mA, CH181 = 20 mA, CH182 = 20 mA, CH183 = 20 mA, CH184 = 20 mA, CH185 = 20 mA, CH186 = 20 mA, CH187 = 20 mA, CH188 = 20 mA, CH189 = 20 mA, CH190 = 20 mA, CH191 = 20 mA, CH192 = 20 mA, CH193 = 20 mA, CH194 = 20 mA, CH195 = 20 mA, CH196 = 20 mA, CH197 = 20 mA, CH198 = 20 mA, CH199 = 20 mA, CH200 = 20 mA, CH201 = 20 mA, CH202 = 20 mA, CH203 = 20 mA, CH204 = 20 mA, CH205 = 20 mA, CH206 = 20 mA, CH207 = 20 mA, CH208 = 20 mA, CH209 = 20 mA, CH210 = 20 mA, CH211 = 20 mA, CH212 = 20 mA, CH213 = 20 mA, CH214 = 20 mA, CH215 = 20 mA, CH216 = 20 mA, CH217 = 20 mA, CH218 = 20 mA, CH219 = 20 mA, CH220 = 20 mA, CH221 = 20 mA, CH222 = 20 mA, CH223 = 20 mA, CH224 = 20 mA, CH225 = 20 mA, CH226 = 20 mA, CH227 = 20 mA, CH228 = 20 mA, CH229 = 20 mA, CH230 = 20 mA, CH231 = 20 mA, CH232 = 20 mA, CH233 = 20 mA, CH234 = 20 mA, CH235 = 20 mA, CH236 = 20 mA, CH237 = 20 mA, CH238 = 20 mA, CH239 = 20 mA, CH240 = 20 mA, CH241 = 20 mA, CH242 = 20 mA, CH243 = 20 mA, CH244 = 20 mA, CH245 = 20 mA, CH246 = 20 mA, CH247 = 20 mA, CH248 = 20 mA, CH249 = 20 mA, CH250 = 20 mA, CH251 = 20 mA, CH252 = 20 mA, CH253 = 20 mA, CH254 = 20 mA, CH255 = 20 mA, CH256 = 20 mA, CH257 = 20 mA, CH258 = 20 mA, CH259 = 20 mA, CH260 = 20 mA, CH261 = 20 mA, CH262 = 20 mA, CH263 = 20 mA, CH264 = 20 mA, CH265 = 20 mA, CH266 = 20 mA, CH267 = 20 mA, CH268 = 20 mA, CH269 = 20 mA, CH270 = 20 mA, CH271 = 20 mA, CH272 = 20 mA, CH273 = 20 mA, CH274 = 20 mA, CH275 = 20 mA, CH276 = 20 mA, CH277 = 20 mA, CH278 = 20 mA, CH279 = 20 mA, CH280 = 20 mA, CH281 = 20 mA, CH282 = 20 mA, CH283 = 20 mA, CH284 = 20 mA, CH285 = 20 mA, CH286 = 20 mA, CH287 = 20 mA, CH288 = 20 mA, CH289 = 20 mA, CH290 = 20 mA, CH291 = 20 mA, CH292 = 20 mA, CH293 = 20 mA, CH294 = 20 mA, CH295 = 20 mA, CH296 = 20 mA, CH297 = 20 mA, CH298 = 20 mA, CH299 = 20 mA, CH300 = 20 mA, CH301 = 20 mA, CH302 = 20 mA, CH303 = 20 mA, CH304 = 20 mA, CH305 = 20 mA, CH306 = 20 mA, CH307 = 20 mA, CH308 = 20 mA, CH309 = 20 mA, CH310 = 20 mA, CH311 = 20 mA, CH312 = 20 mA, CH313 = 20 mA, CH314 = 20 mA, CH315 = 20 mA, CH316 = 20 mA, CH317 = 20 mA, CH318 = 20 mA, CH319 = 20 mA, CH320 = 20 mA, CH321 = 20 mA, CH322 = 20 mA, CH323 = 20 mA, CH324 = 20 mA, CH325 = 20 mA, CH326 = 20 mA, CH327 = 20 mA, CH328 = 20 mA, CH329 = 20 mA, CH330 = 20 mA, CH331 = 20 mA, CH332 = 20 mA, CH333 = 20 mA, CH334 = 20 mA, CH335 = 20 mA, CH336 = 20 mA, CH337 = 20 mA, CH338 = 20 mA, CH339 = 20 mA, CH340 = 20 mA, CH341 = 20 mA, CH342 = 20 mA, CH343 = 20 mA, CH344 = 20 mA, CH345 = 20 mA, CH346 = 20 mA, CH347 = 20 mA, CH348 = 20 mA, CH349 = 20 mA, CH350 = 20 mA, CH351 = 20 mA, CH352 = 20 mA, CH353 = 20 mA, CH354 = 20 mA, CH355 = 20 mA, CH356 = 20 mA, CH357 = 20 mA, CH358 = 20 mA, CH359 = 20 mA, CH360 = 20 mA, CH361 = 20 mA, CH362 = 20 mA, CH363 = 20 mA, CH364 = 20 mA, CH365 = 20 mA, CH366 = 20 mA, CH367 = 20 mA, CH368 = 20 mA, CH369 = 20 mA, CH370 = 20 mA, CH371 = 20 mA, CH372 = 20 mA, CH373 = 20 mA, CH374 = 20 mA, CH375 = 20 mA, CH376 = 20 mA, CH377 = 20 mA, CH378 = 20 mA, CH379 = 20 mA, CH380 = 20 mA, CH381 = 20 mA, CH382 = 20 mA, CH383 = 20 mA, CH384 = 20 mA, CH385 = 20 mA, CH386 = 20 mA, CH387 = 20 mA, CH388 = 20 mA, CH389 = 20 mA, CH390 = 20 mA, CH391 = 20 mA, CH392 = 20 mA, CH393 = 20 mA, CH394 = 20 mA, CH395 = 20 mA, CH396 = 20 mA, CH397 = 20 mA, CH398 = 20 mA, CH399 = 20 mA, CH400 = 20 mA, CH401 = 20 mA, CH402 = 20 mA, CH403 = 20 mA, CH404 = 20 mA, CH405 = 20 mA, CH406 = 20 mA, CH407 = 20 mA, CH408 = 20 mA, CH409 = 20 mA, CH410 = 20 mA, CH411 = 20 mA, CH412 = 20 mA, CH413 = 20 mA, CH414 = 20 mA, CH415 = 20 mA, CH416 = 20 mA, CH417 = 20 mA, CH418 = 20 mA, CH419 = 20 mA, CH420 = 20 mA, CH421 = 20 mA, CH422 = 20 mA, CH423 = 20 mA, CH424 = 20 mA, CH425 = 20 mA, CH426 = 20 mA, CH427 = 20 mA, CH428 = 20 mA, CH429 = 20 mA, CH430 = 20 mA, CH431 = 20 mA, CH432 = 20 mA, CH433 = 20 mA, CH434 = 20 mA, CH435 = 20 mA, CH436 = 20 mA, CH437 = 20 mA, CH438 = 20 mA, CH439 = 20 mA, CH440 = 20 mA, CH441 = 20 mA, CH442 = 20 mA, CH443 = 20 mA, CH444 = 20 mA, CH445 = 20 mA, CH446 = 20 mA, CH447 = 20 mA, CH448 = 20 mA, CH449 = 20 mA, CH450 = 20 mA, CH451 = 20 mA, CH452 = 20 mA, CH453 = 20 mA, CH454 = 20 mA, CH455 = 20 mA, CH456 = 20 mA, CH457 = 20 mA, CH458 = 20 mA, CH459 = 20 mA, CH460 = 20 mA, CH461 = 20 mA, CH462 = 20 mA, CH463 = 20 mA, CH464 = 20 mA, CH465 = 20 mA, CH466 = 20 mA, CH467 = 20 mA, CH468 = 20 mA, CH469 = 20 mA, CH470 = 20 mA, CH471 = 20 mA, CH472 = 20 mA, CH473 = 20 mA, CH474 = 20 mA, CH475 = 20 mA, CH476 = 20 mA, CH477 = 20 mA, CH478 = 20 mA, CH479 = 20 mA, CH480 = 20 mA, CH481 = 20 mA, CH482 = 20 mA, CH483 = 20 mA, CH484 = 20 mA, CH485 = 20 mA, CH486 = 20 mA, CH487 = 20 mA, CH488 = 20 mA, CH489 = 20 mA, CH490 = 20 mA, CH491 = 20 mA, CH492 = 20 mA, CH493 = 20 mA, CH494 = 20 mA, CH495 = 20 mA, CH496 = 20 mA, CH497 = 20 mA, CH498 = 20 mA, CH499 = 20 mA, CH500 = 20 mA, CH501 = 20 mA, CH502 = 20 mA, CH503 = 20 mA, CH504 = 20 mA, CH505 = 20 mA, CH506 = 20 mA, CH507 = 20 mA, CH508 = 20 mA, CH509 = 20 mA, CH510 = 20 mA, CH511 = 20 mA, CH512 = 20 mA, CH513 = 20 mA, CH514 = 20 mA, CH515 = 20 mA, CH516 = 20 mA, CH517 = 20 mA, CH518 = 20 mA, CH519 = 20 mA, CH520 = 20 mA, CH521 = 20 mA, CH522 = 20 mA, CH523 = 20 mA, CH524 = 20 mA, CH525 = 20 mA, CH526 = 20 mA, CH527 = 20 mA, CH528 = 20 mA, CH529 = 20 mA, CH530 = 20 mA, CH531 = 20 mA, CH532 = 20 mA, CH533 = 20 mA, CH534 = 20 mA, CH535 = 20 mA, CH536 = 20 mA, CH537 = 20 mA, CH538 = 20 mA, CH539 = 20 mA, CH540 = 20 mA, CH541 = 20 mA, CH542 = 20 mA, CH543 = 20 mA, CH544 = 20 mA, CH545 = 20 mA, CH546 = 20 mA, CH547 = 20 mA, CH548 = 20 mA, CH549 = 20 mA, CH550 = 20 mA, CH551 = 20 mA, CH552 = 20 mA, CH553 = 20 mA, CH554 = 20 mA, CH555 = 20 mA, CH556 = 20 mA, CH557 = 20 mA, CH558 = 20 mA, CH559 = 20 mA, CH560 = 20 mA, CH561 = 20 mA, CH562 = 20 mA, CH563 = 20 mA, CH564 = 20 mA, CH565 = 20 mA, CH566 = 20 mA, CH567 = 20 mA, CH568 = 20 mA, CH569 = 20 mA, CH570 = 20 mA, CH571 = 20 mA, CH572 = 20 mA, CH573 = 20 mA, CH574 = 20 mA, CH575 = 20 mA, CH576 = 20 mA, CH577 = 20 mA, CH578 = 20 mA, CH579 = 20 mA, CH580 = 20 mA, CH581 = 20 mA, CH582 = 20 mA, CH583 = 20 mA, CH584 = 20 mA, CH585 = 20 mA, CH586 = 20 mA, CH587 = 20 mA, CH588 = 20 mA, CH589 = 20 mA, CH590 = 20 mA, CH591 = 20 mA, CH592 = 20 mA, CH593 = 20 mA, CH594 = 20 mA, CH595 = 20 mA, CH596 = 20 mA, CH597 = 20 mA, CH598 = 20 mA, CH599 = 20 mA, CH600 = 20 mA, CH601 = 20 mA, CH602 = 20 mA, CH603 = 20 mA, CH604 = 20 mA, CH605 = 20 mA, CH606 = 20 mA, CH607 = 20 mA, CH608 = 20 mA, CH609 = 20 mA, CH610 = 20 mA, CH611 = 20 mA, CH612 = 20 mA, CH613 = 20 mA, CH614 = 20 mA, CH615 = 20 mA, CH616 = 20 mA, CH617 = 20 mA, CH618 = 20 mA, CH619 = 20 mA, CH620 = 20 mA, CH621 = 20 mA, CH622 = 20 mA, CH623 = 20 mA, CH624 = 20 mA, CH625 = 20 mA, CH626 = 20 mA, CH627 = 20 mA, CH628 = 20 mA, CH629 = 20 mA, CH630 = 20 mA, CH631 = 20 mA, CH632 = 20 mA, CH633 = 20 mA, CH634 = 20 mA, CH635 = 20 mA, CH636 = 20 mA, CH637 = 20 mA, CH638 = 20 mA, CH639 = 20 mA, CH640 = 20 mA, CH641 = 20 mA, CH642 = 20 mA, CH643 = 20 mA, CH644 = 20 mA, CH645 = 20 mA, CH646 = 20 mA, CH647 = 20 mA, CH648 = 20 mA, CH649 = 20 mA, CH650 = 20 mA, CH651 = 20 mA, CH652 = 20 mA, CH653 = 20 mA, CH654 = 20 mA, CH655 = 20 mA, CH656 = 20 mA, CH657 = 20 mA, CH658 = 20 mA, CH659 = 20 mA, CH660 = 20 mA, CH661 = 20 mA, CH662 = 20 mA, CH663 = 20 mA, CH664 = 20 mA, CH665 = 20 mA, CH666 = 20 mA, CH667 = 20 mA, CH668 = 20 mA, CH669 = 20 mA, CH670 = 20 mA, CH671 = 20 mA, CH672 = 20 mA, CH673 = 20 mA, CH674 = 20 mA, CH675 = 20 mA, CH676 = 20 mA, CH677 = 20 mA, CH678 = 20 mA, CH679 = 20 mA, CH680 = 20 mA, CH681 = 20 mA, CH682 = 20 mA, CH683 = 20 mA, CH684 = 20 mA, CH685 = 20 mA, CH686 = 20 mA, CH687 = 20 mA, CH688 = 20 mA, CH689 = 20 mA, CH690 = 20 mA, CH691 = 20 mA, CH692 = 20 mA, CH693 = 20 mA, CH694 = 20 mA, CH695 = 20 mA, CH696 = 20 mA, CH697 = 20 mA, CH698 = 20 mA, CH699 = 20 mA, CH700 = 20 mA, CH701 = 20 mA, CH702 = 20 mA, CH703 = 20 mA, CH704 = 20 mA, CH705 = 20 mA, CH706 = 20 mA, CH707 = 20 mA, CH708 = 20 mA, CH709 = 20 mA, CH710 = 20 mA, CH711 = 20 mA, CH712 = 20 mA, CH713 = 20 mA, CH714 = 20 mA, CH715 = 20 mA, CH716 = 20 mA, CH717 = 20 mA, CH718 = 20 mA, CH719 = 20 mA, CH720 = 20 mA, CH721 = 20 mA, CH722 = 20 mA, CH723 = 20 mA, CH724 = 20 mA, CH725 = 20 mA, CH726 = 20 mA, CH727 = 20 mA, CH728 = 20 mA, CH729 = 20 mA, CH730 = 20 mA, CH731 = 20 mA, CH732 = 20 mA, CH733 = 20 mA, CH734 = 20 mA, CH735 = 20 mA, CH736 = 20 mA, CH737 = 20 mA, CH738 = 20 mA, CH739 = 20 mA, CH740 = 20 mA, CH741 = 20 mA, CH742 = 20 mA, CH743 = 20 mA, CH744 = 20 mA, CH745 = 20 mA, CH746 = 20 mA, CH747 = 20 mA, CH748 = 20 mA, CH749 = 20 mA, CH750 = 20 mA, CH751 = 20 mA, CH752 = 20 mA, CH753 = 20 mA, CH754 = 20 mA, CH755 = 20 mA, CH756 = 20 mA, CH757 = 20 mA, CH758 = 20 mA, CH759 = 20 mA, CH760 = 20 mA, CH761 = 20 mA, CH762 = 20 mA, CH763 = 20 mA, CH764 = 20 mA, CH765 = 20 mA, CH766 = 20 mA, CH767 = 20 mA, CH768 = 20 mA, CH769 = 20 mA, CH770 = 20 mA, CH771 = 20 mA, CH772 = 20 mA, CH773 = 20 mA, CH774 = 20 mA, CH775 = 20 mA, CH776 = 20 mA, CH777 = 20 mA, CH778 = 20 mA, CH779 = 20 mA, CH780 = 20 mA, CH781 = 20 mA, CH782 = 20 mA, CH783 = 20 mA, CH784 = 20 mA, CH785 = 20 mA, CH786 = 20 mA, CH787 = 20 mA, CH788 = 20 mA, CH789 = 20 mA, CH790 = 20 mA, CH791 = 20 mA, CH792 = 20 mA, CH793 = 20 mA, CH794 = 20 mA, CH795 = 20 mA, CH796 = 20 mA, CH797 = 20 mA, CH798 = 20 mA, CH799 = 20 mA, CH800 = 20 mA, CH801 = 20 mA, CH802 = 20 mA, CH803 = 20 mA, CH804 = 20 mA, CH805 = 20 mA, CH806 = 20 mA, CH807 = 20 mA, CH808 = 20 mA, CH809 = 20 mA, CH810 = 20 mA, CH811 = 20 mA, CH812 = 20 mA, CH813 = 20 mA, CH814 = 20 mA, CH815 = 20 mA, CH816 = 20 mA, CH817 = 20 mA, CH818 = 20 mA, CH819 = 20 mA, CH820 = 20 mA, CH821 = 20 mA, CH822 = 20 mA, CH823 = 20 mA, CH824 = 20 mA, CH825 = 20 mA, CH826 = 20 mA, CH827 = 20 mA, CH828 = 20 mA, CH829 = 20 mA, CH830 = 20 mA, CH831 = 20 mA, CH832 = 20 mA, CH833 = 20 mA, CH834 = 20 mA, CH835 = 20 mA, CH836 = 20 mA, CH837 = 20 mA, CH838 = 20 mA, CH839 = 20 mA, CH840 = 20 mA, CH841 = 20 mA, CH842 = 20 mA, CH843 = 20 mA, CH844 = 20 mA, CH845 = 20 mA, CH846 = 20 mA, CH847 = 20 mA, CH848 = 20 mA, CH849 = 20 mA, CH850 = 20 mA, CH851 = 20 mA, CH852 = 20 mA, CH853 = 20 mA, CH854 = 20 mA, CH855 = 20 mA, CH856 = 20 mA, CH857 = 20 mA, CH858 = 20 mA, CH859 = 20 mA, CH860 = 20 mA, CH861 = 20 mA, CH862 = 20 mA, CH863 = 20 mA, CH864 = 20 mA, CH865 = 20 mA, CH866 = 20 mA, CH867 = 20 mA, CH868 = 20 mA, CH869 = 20 mA, CH870 = 20 mA, CH871 = 20 mA, CH872 = 20 mA, CH873 = 20 mA, CH874 = 20 mA, CH875 = 20 mA, CH876 = 20 mA, CH877 = 20 mA, CH878 = 20 mA, CH879 = 20 mA, CH880 = 20 mA, CH881 = 20 mA, CH882 = 20 mA, CH883 = 20 mA, CH884 = 20 mA, CH885 = 20 mA, CH886 = 20 mA, CH887 = 20 mA, CH888 = 20 mA, CH889 = 20 mA, CH890 = 20 mA, CH891 = 20 mA, CH892 = 20 mA, CH893 = 20 mA, CH894 = 20 mA, CH895 = 20 mA, CH896 = 20 mA, CH897 = 20 mA, CH898 = 20 mA, CH899 = 20 mA, CH900 = 20 mA, CH901 = 20 mA, CH902 = 20 mA, CH903 = 20 mA, CH904 = 20 mA, CH905 = 20 mA, CH906 = 20 mA, CH907 = 20 mA, CH908 = 20 mA, CH909 = 20 mA, CH910 = 20 mA, CH911 = 20 mA, CH912 = 20 mA, CH913 = 20 mA, CH914 = 20 mA, CH915 = 20 mA, CH916 = 20 mA, CH917 = 20 mA, CH918 = 20 mA, CH919 = 20 mA, CH920 = 20 mA, CH921 = 20 mA, CH922 = 20 mA, CH923 = 20 mA, CH924 = 20 mA, CH925 = 20 mA, CH926 = 20 mA, CH927 = 20 mA, CH928 = 20 mA, CH929 = 20 mA, CH930 = 20 mA, CH931 = 20 mA, CH932 = 20 mA, CH933 = 20 mA, CH934 = 20 mA, CH935 = 20 mA, CH936 = 20 mA, CH937 = 20 mA, CH938 = 20 mA, CH939 = 20 mA, CH940 = 20 mA, CH941 = 20 mA, CH942 = 20 mA, CH943 = 20 mA, CH944 = 20 mA, CH945 = 20 mA, CH946 = 20 mA, CH947 = 20 mA, CH948 = 20 mA, CH949 = 20 mA, CH950 = 20 mA, CH951 = 20 mA, CH952 = 20 mA, CH953 = 20 mA, CH954 = 20 mA, CH955 = 20 mA, CH956 = 20 mA, CH957 = 20 mA, CH958 = 20 mA, CH959 = 20 mA, CH960 = 20 mA, CH961 = 20 mA, CH962 = 20 mA, CH963 = 20 mA, CH964 = 20 mA, CH965 = 20 mA, CH966 = 20 mA, CH967 = 20 mA, CH968 = 20 mA, CH969 = 20 mA, CH970 = 20 mA, CH971 = 20 mA, CH972 = 20 mA, CH973 = 20 mA, CH974 = 20 mA, CH975 = 20 mA, CH976 = 20 mA, CH977 = 20 mA, CH978 = 20 mA, CH979 = 20 mA, CH980 = 20 mA, CH981 = 20 mA, CH982 = 20 mA, CH983 = 20 mA, CH984 = 20 mA, CH985 = 20 mA, CH986 = 20 mA, CH987 = 20 mA, CH988 = 20 mA, CH989 = 20 mA, CH990 = 20 mA, CH991 = 20 mA, CH992 = 20 mA, CH993 = 20 mA, CH994 = 20 mA, CH995 = 20 mA, CH996 = 20 mA, CH997 = 20 mA, CH998 = 20 mA, CH999 = 20 mA, CH1000 = 20 mA, CH1001 = 20 mA, CH1002 = 20 mA, CH1003 = 20 mA, CH1004 = 20 mA, CH1005 = 20 mA, CH1006 = 20 mA, CH1007 = 20 mA, CH1008 = 20 mA, CH1009 = 20 mA, CH1010 = 20 mA, CH1011 = 20 mA, CH1012 = 20 mA, CH1013 = 20 mA, CH1014 = 20 mA, CH1015 = 20 mA, CH1016 = 20 mA, CH1017 = 20 mA, CH1018 = 20 mA, CH1019 = 20 mA, CH1020 = 20 mA, CH1021 = 20 mA, CH1022 = 20 mA, CH1023 = 20 mA, CH1024 = 20 mA, CH1025 = 20 mA, CH1026 = 20 mA, CH1027 = 20 mA, CH1028 = 20 mA, CH1029 = 20 mA, CH1030 = 20 mA, CH1031 = 20 mA, CH1032 = 20 mA, CH1033 = 20 mA, CH1034 = 20 mA, CH1035 = 20 mA, CH1036 = 20 mA, CH1037 = 20 mA, CH1038 = 20 mA, CH1039 = 20 mA, CH1040 = 20 mA, CH1041 = 20 mA, CH1042 = 20 mA, CH1043 = 20 mA, CH1044 = 20 mA, CH1045 = 20 mA, CH1046 = 20 mA, CH1047 = 20 mA, CH1048 = 20 mA, CH1049 = 20 mA, CH1050 = 20 mA, CH1051 = 20 mA, CH1052 = 20 mA, CH1053 = 20 mA, CH1054 = 20 mA, CH1055 = 20 mA, CH1056 = 20 mA, CH1057 = 20 mA, CH1058 = 20 mA, CH1059 = 20 mA, CH1060 = 20 mA, CH1061 = 20 mA, CH1062 = 20 mA, CH1063 = 20 mA, CH1064 = 20 mA, CH1065 = 20 mA, CH1066 = 20 mA, CH1067 = 20 mA, CH1068 = 20 mA, CH1069 = 20 mA, CH1070 = 20 mA, CH1071 = 20 mA, CH1072 = 20 mA, CH1073 = 20 mA, CH1074 = 20 mA, CH1075 = 20 mA, CH1076 = 20 mA, CH1077 = 20 mA, CH1078 = 20 mA, CH1079 = 20 mA, CH1080 = 20 mA, CH1081 = 20 mA, CH1082 = 20 mA, CH1083 = 20 mA, CH1084 = 20 mA, CH1085 = 20 mA, CH1086 = 20 mA, CH1087 = 20 mA, CH1088 = 20 mA, CH1089 = 20 mA, CH1090 = 20 mA, CH1091 = 20 mA, CH1092 = 20 mA, CH1093 = 20 mA, CH1094 = 20 mA, CH1095 = 20 mA, CH1096 = 20 mA, CH1097 = 20 mA, CH1098 = 20 mA, CH1099 = 20 mA, CH1100 = 20 mA, CH1101 = 20 mA, CH1102 = 20 mA, CH1103 = 20 mA, CH1104 = 20 mA, CH1105 = 20 mA, CH1106 = 20 mA, CH1107 = 20 mA, CH1108 = 20 mA, CH1109 = 20 mA, CH1110 = 20 mA, CH1111 = 20 mA, CH1112 = 20 mA, CH1113 = 20 mA, CH1114 = 20 mA, CH1115 = 2