

IR20 & IR20WS

Research grade pyrgometers

IR20 is a research grade pyrgometer suitable for high-accuracy longwave irradiance measurement in meteorological applications. Thanks to Hukseflux' technological innovation, IR20 is offered at a significantly lower price level than competing models of the same performance level. IR20 is capable of measuring during both day and night. In absence of solar radiation, model IR20WS offers even better accuracy because of its wider spectral range.



Figure 1 IR20 research grade pyrgometer

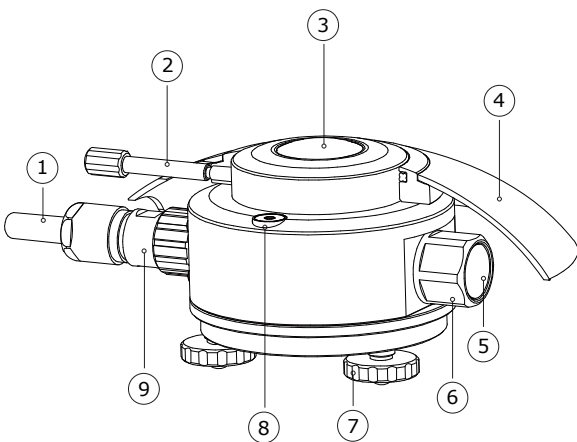


Figure 2 overview of IR20 pyrgometer:
 (1) cable, (2) fixation of sun screen, (3) dome with solar blind filter, (4) sun screen, (5) humidity indicator, (6) desiccant holder, (7) levelling feet, (8) bubble level, (9) connector

Introduction

IR20 measures the longwave or far-infra-red radiation received by a plane surface, in W/m^2 , from a 180° field of view angle.

In meteorological terms pyrgometers are used to measure "downward and upward longwave irradiance" (WMO definition). Longwave radiation is the part of radiation that is not emitted by the sun. The spectral range of longwave radiation is not standardised. A practical cut-on is in the range of 4 to 5×10^{-6} m. IR20 has a dome with a solar blind filter with a cut-on at 4.5×10^{-6} m, making it suitable for day- and night observations.

Model IR20WS has a wide spectral range with a cut-on at 1.0×10^{-6} m. It offers a superior accuracy during night-time, when solar radiation is absent.



Figure 3 IR20 pyrheliometer being prepared for application

IR20 & IR20WS design & benefits

- breakthrough pricing for a pyrheliometer of this performance level as a result of Hukseflux' technological innovation.
- correction of temperature dependence by use of the measurement function. This is far more accurate than temperature compensation in the instrument, especially at very low and high temperatures. Every pyrheliometer is supplied with temperature coefficients to enter into the equation.
- high sensitivity. With sufficient input signal a typical datalogger no longer significantly contributes to the uncertainty of the measurement.
- low thermal-resistance of the sensor. Competing designs need a significant correction for the difference in temperature between pyrheliometer body and sensor surface. For IR20 this is not needed.
- fast response time (3 s). A low response time is a benefit for measurements on moving platforms such as aircraft and buoys.
- on-board heater. Heating prevents condensation of water on the pyrheliometer dome which, when occurring, leads to very large measurement errors.
- instrument cut-on wavelength (5 %) and the two 50 % transmission points are displayed on the product certificate for individual sensors.

Options

- longer cable, in multiples of 5 metres
- blackbody calibration (ITS-90)

IR20 & IR20WS specifications

Measurand	longwave radiation
Optional measurand	sky temperature
Optional measurand	surface temperature
Spectral range IR20	4.5* to 42×10^{-6} m
Spectral range IR20WS	1.0 to 50×10^{-6} m
IR20WS restrictions for use	only in the absence of solar radiation
Field of view angle	180°
Response time (95 %)	3 s
Sensitivity (nominal)	17×10^{-6} V/(W/m ²)
Rated operating temperature range	-40 to +80 °C
Temperature dependence	< ± 0.4 % (-30 to +50 °C)
Calibration traceability	to WISG
Optional traceability	to blackbody (ITS-90)
Temperature sensor	10 kΩ thermistor
Heater	12 VDC, 1.5 W
Standard cable length	5 m

*nominal, see product certificate for individual value

Suggested use

- climatological networks
- extreme climates (polar / tropical)
- moving platforms (aircraft, buoys)
- uncertainty assessment (IR20 + IR20WS)
- calibration reference (IR20WS)

See also

- [IR02](#) for lower accuracy measurements
- pyrheliometers are often used in combination with pyranometers for solar radiation (shortwave) measurement. View our complete [product range of solar sensors](#)
- [The making of IR20](#) documented

About Hukseflux

Hukseflux is the leading expert in measurement of energy transfer. We design and manufacture sensors and measuring systems that support the energy transition. We are market leaders in solar radiation- and heat flux measurement. Customers are served through the main office in the Netherlands, and locally owned representations in the USA, Brazil, India, China, South East Asia and Japan.

Interested in this product?
E-mail us at: info@huksefluxusa.com