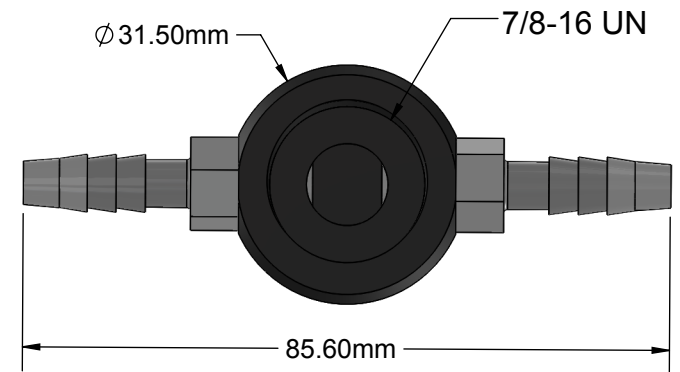
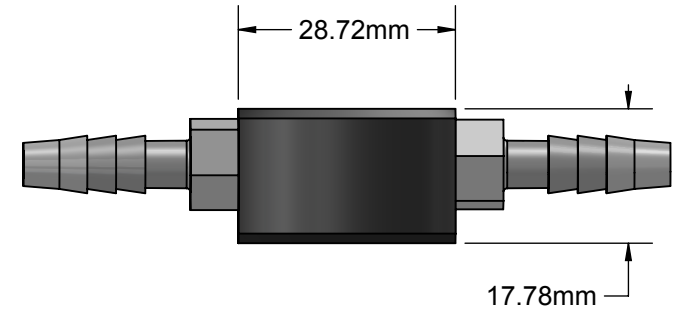


AO-001  
Diffusion Head



AO-002  
Flow Through Head