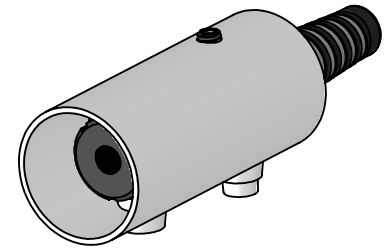
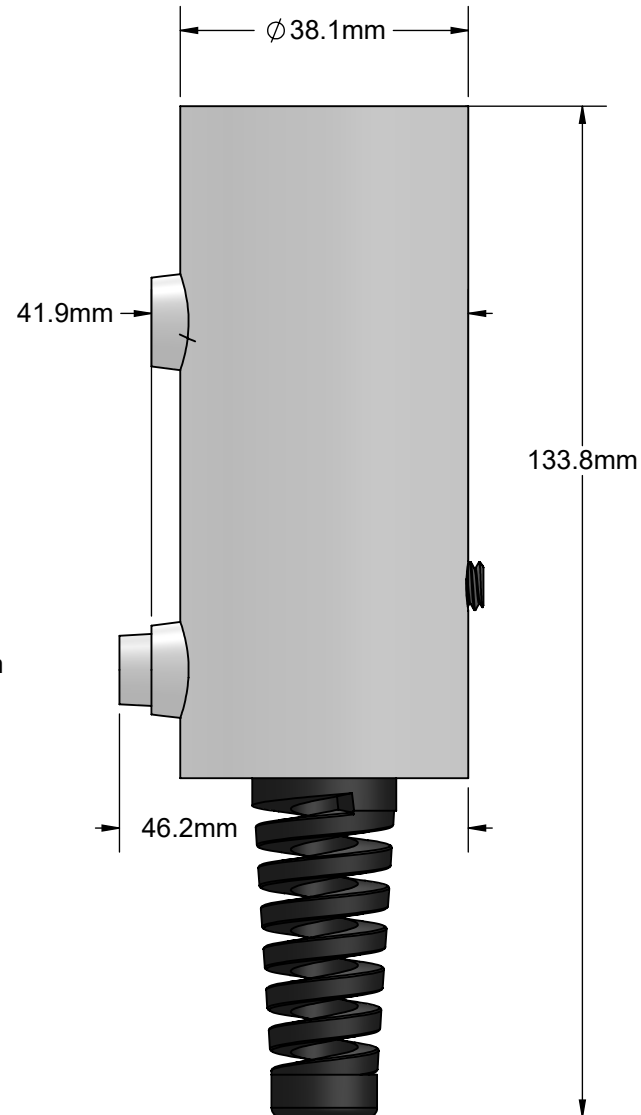
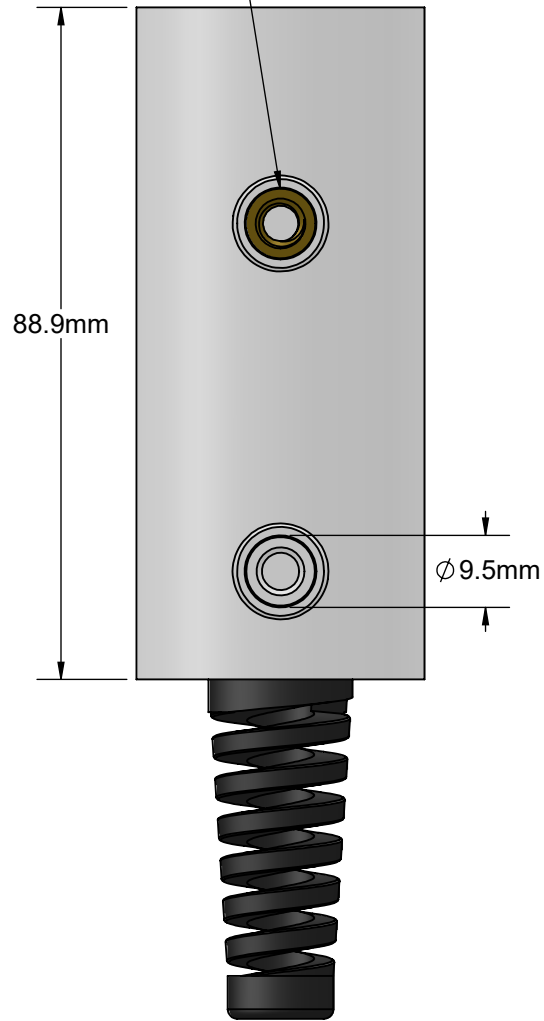
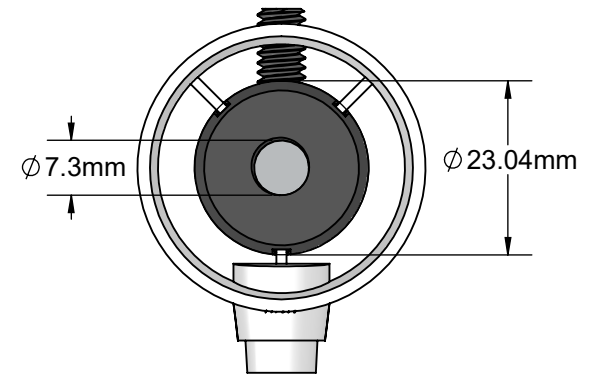


1/4-20 Thread



Reference View  
Scale 1:2



**apogee**  
INSTRUMENTS

Low Cost IRR

Information in this drawing is provided for reference only.

SCALE: 1:1

COPYRIGHT: 6/30/2020