



**INTRODUCTION**

The Model 19120 provides transient voltage suppression for up to six sensor signal lines. Harmful transients are shunted to earth ground instead of damaging voltage sensitive equipment. Normally after the voltage level on the associated line returns to normal levels the transient protection device returns to a high impedance state. In case of severe current overloads beyond the maximum rating, the surge protection devices will fail short protecting the circuits.

**INSTALLATION**

The unit is housed in a weather proof enclosure and is supplied with a mounting bracket and U-bolt which will fit Ø25-50mm (Ø 1.0-2.0) pipe. For maximum protection it is recommended that the unit be mounted close to the meteorological sensors. Also the ground wire should be connected to a solid earth ground.

**MAINTENANCE**

The Signal Line Surge Protection is designed to offer years of service with minimal maintenance. The Signal Line Surge Protection requires no regular maintenance in normal use. Dirt or dust accumulation on the box and bracket can be cleaned with soap and water.

**DO NOT USE SOLVENTS!**

**WARRANTY**

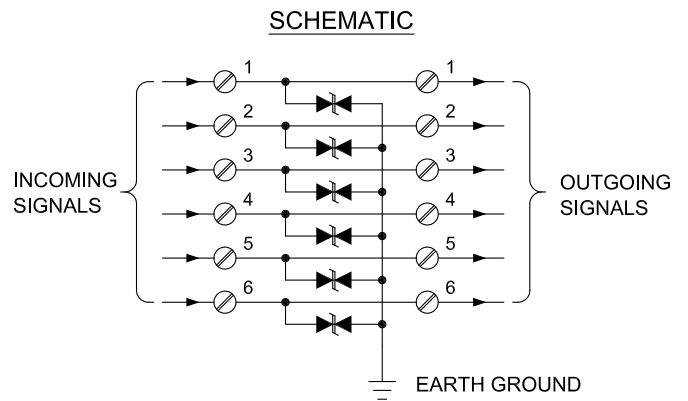
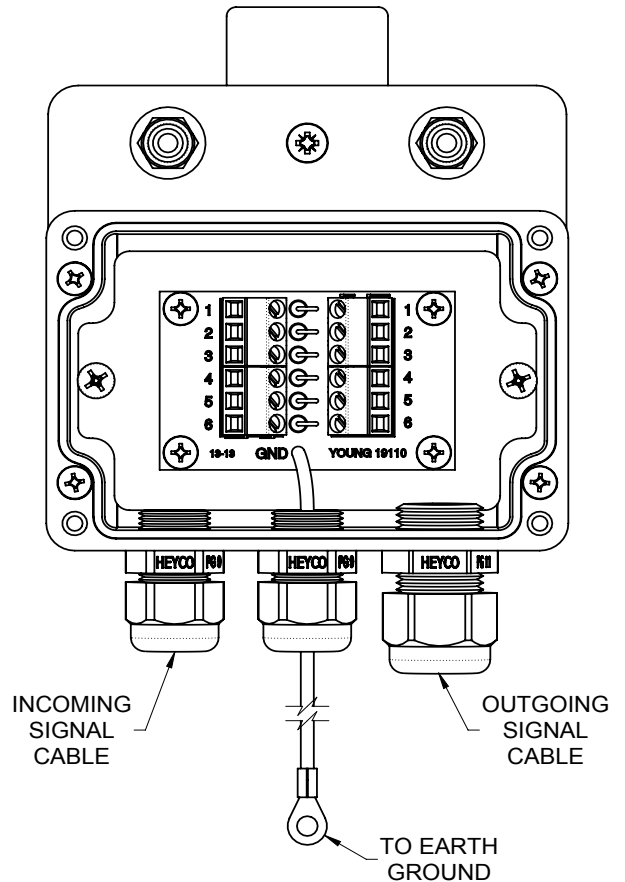
This product is warranted to be free of defects in materials and construction for a period of 12 months from date of initial purchase. Liability is limited to repair or replacement of defective item. A copy of the warranty policy may be obtained from R. M. Young Company.

**CE COMPLIANCE**

This product has been tested and complies with European CE Requirements for the EMC Directive. Please note that shielded cable must be used.

**SPECIFICATIONS**

Breakdown Voltage:	33.3-36.8 Volts
Power Rating:	500 Watts peak power dissipation @25° C for one Millisecond
Maximum Reverse Leakage Current	3 Microampere
Response Time	1 x 10 <sup>-12</sup> Second
Operating Temperature:	-50° to +50° C
Dimensions:	110mm (4.3 in) W x 75mm (2.9 in) H x 56mm (2.2 in) D





# REPLACEMENT PARTS

MODEL 19120 SURGE PROTECTION - 6 CHANNEL

41053  
U-BOLT, NUTS, WASHERS

19110  
SURGE PROTECTION  
CARD ASSEMBLY

41052 V-BLOCK

05651  
MOUNTING PLATE

05653  
CASE ASSEMBLY

